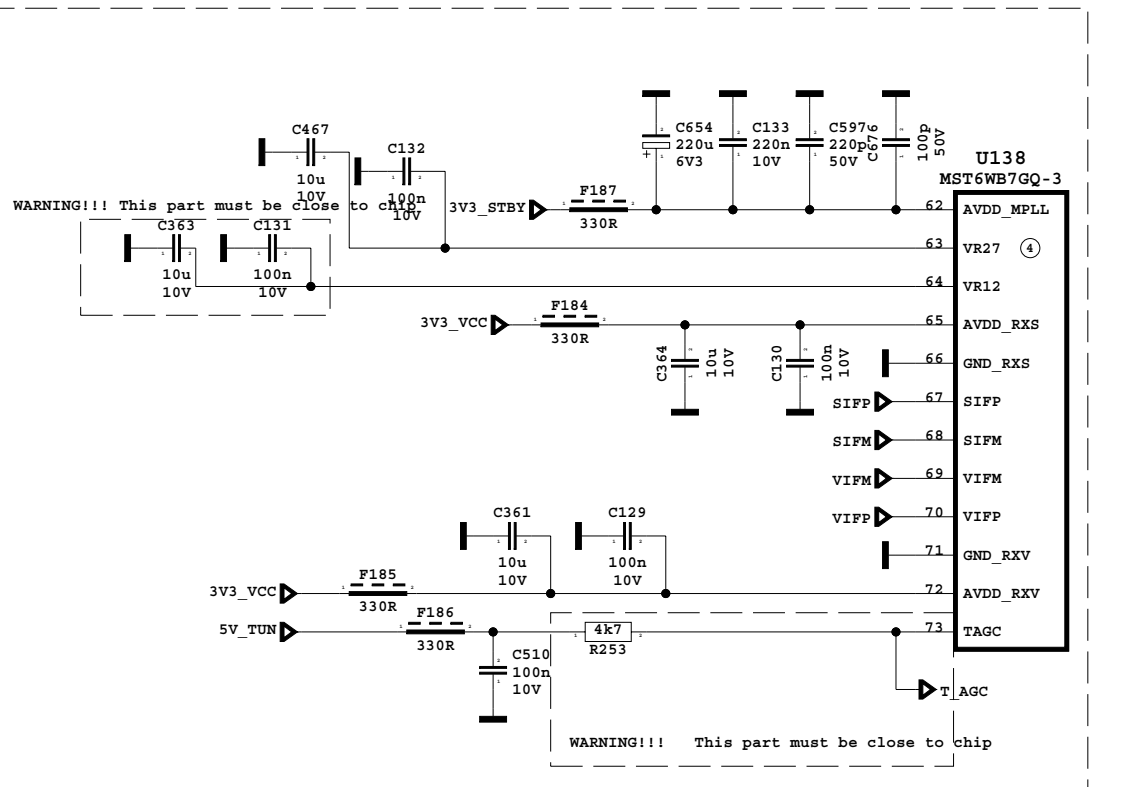
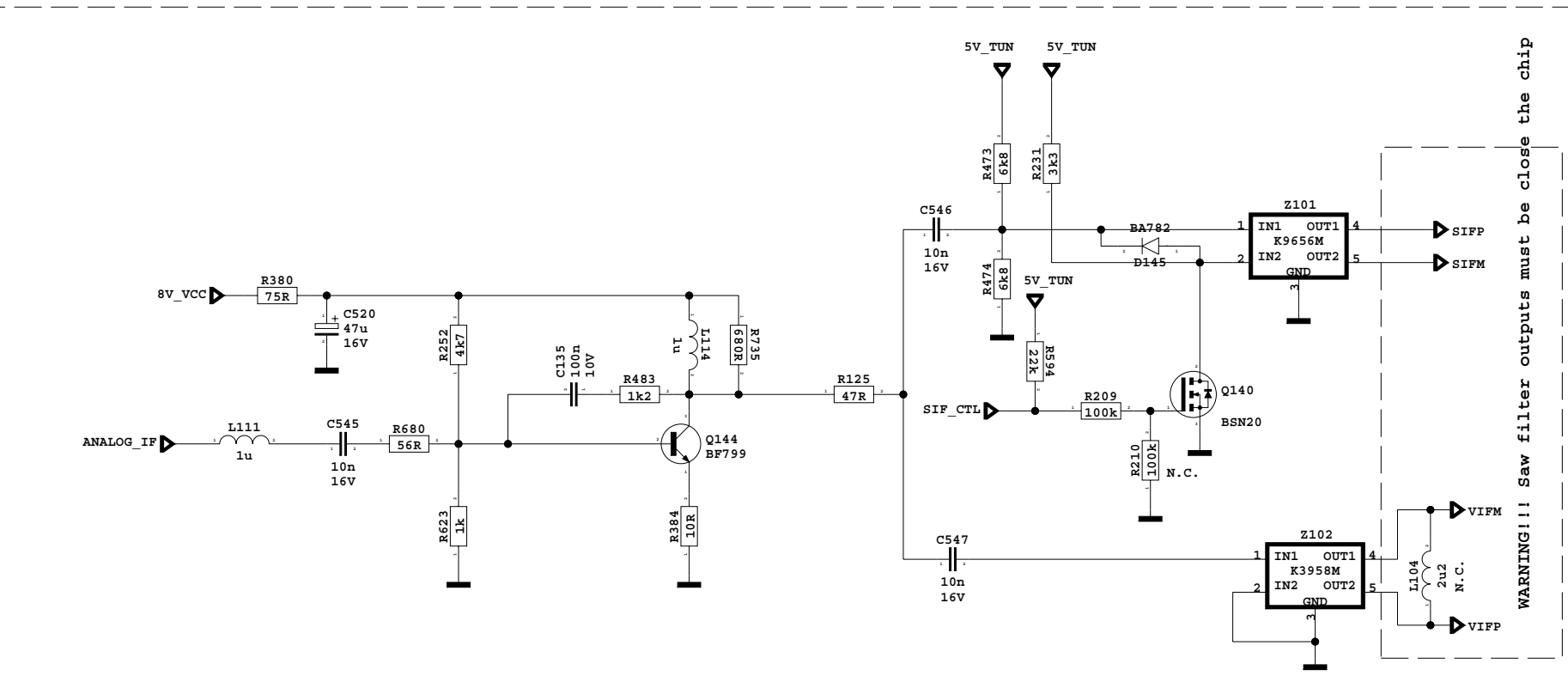
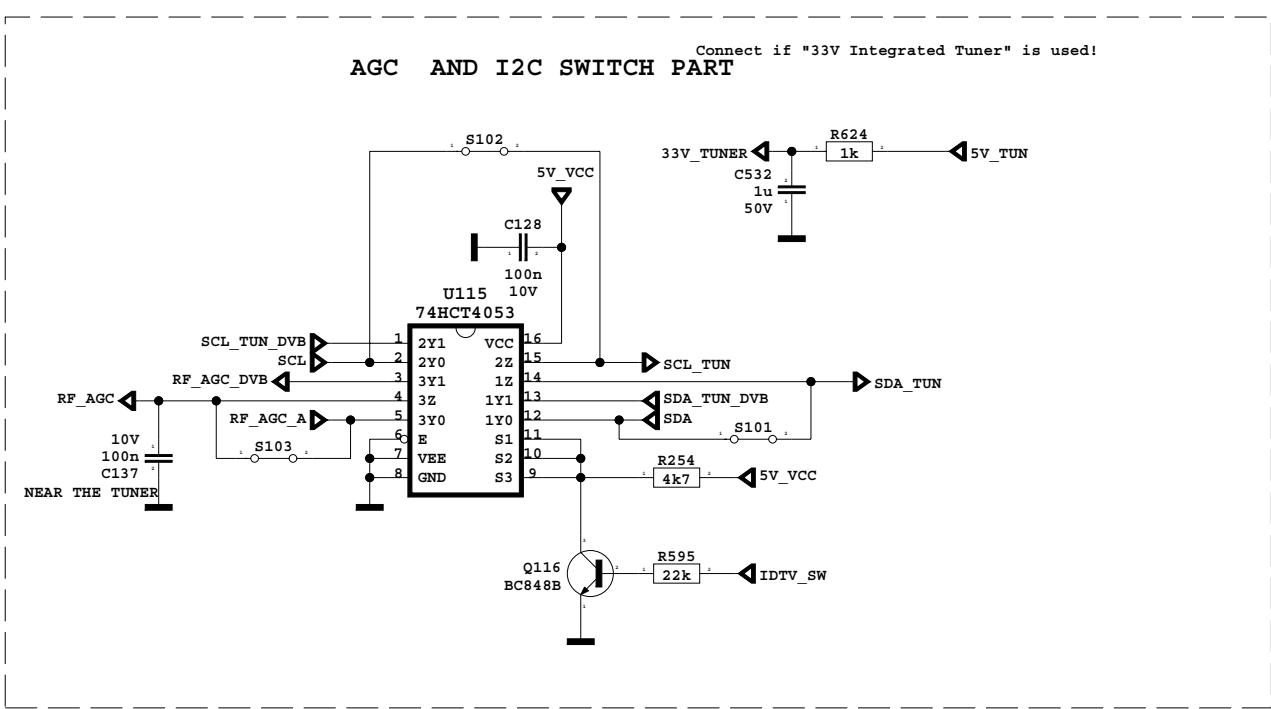
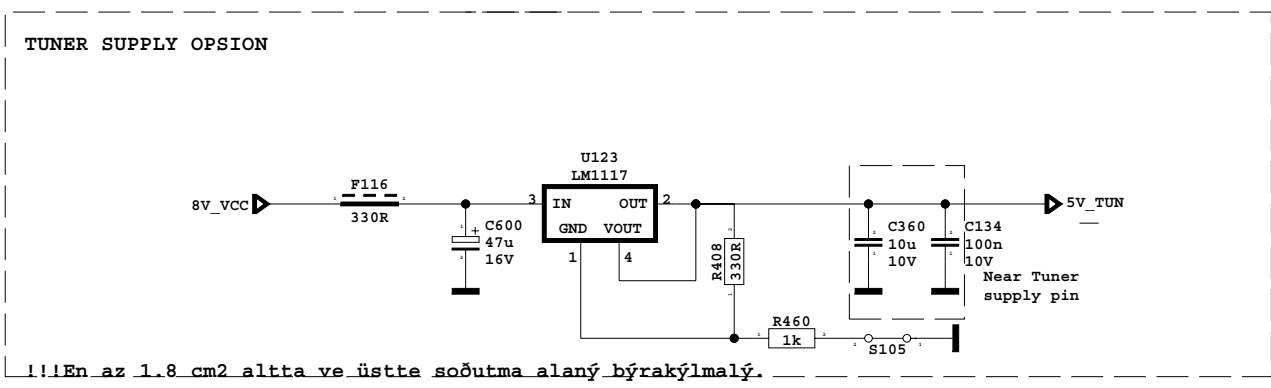
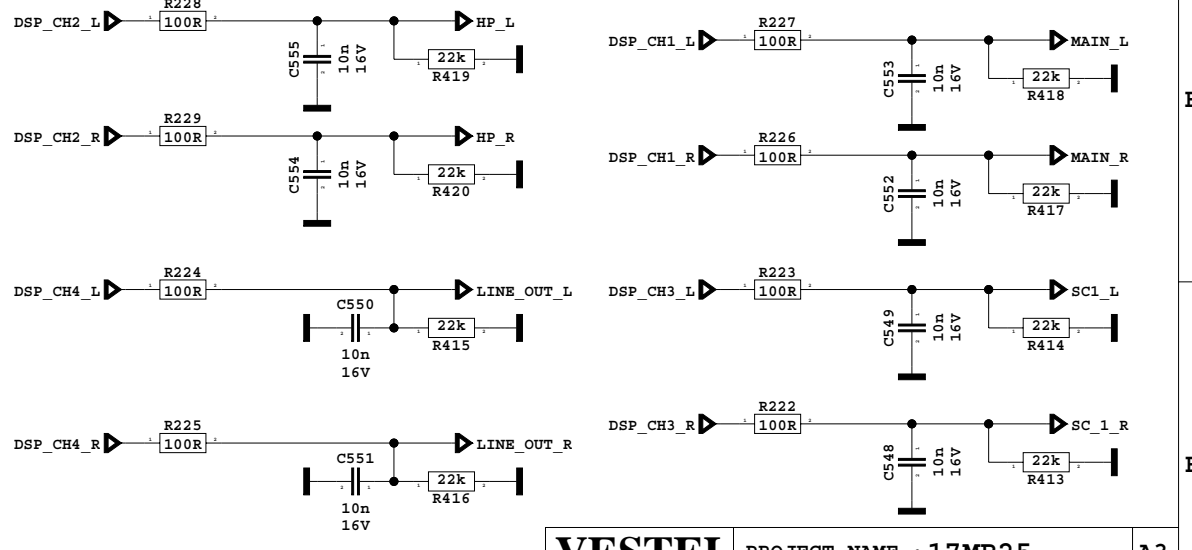
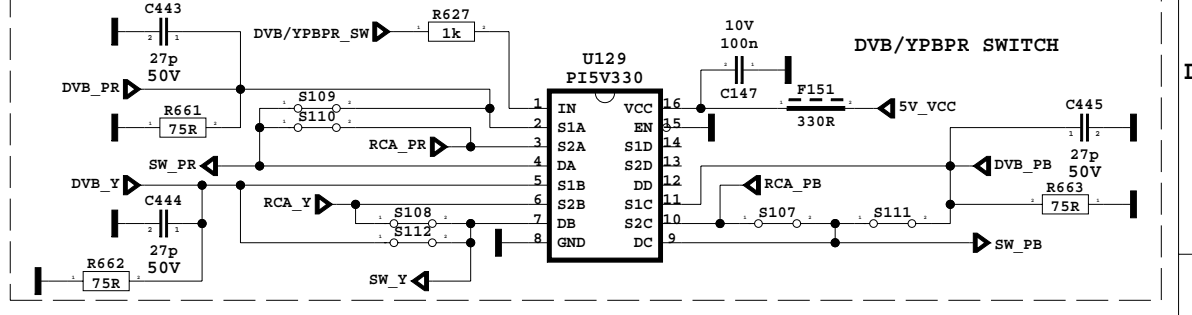
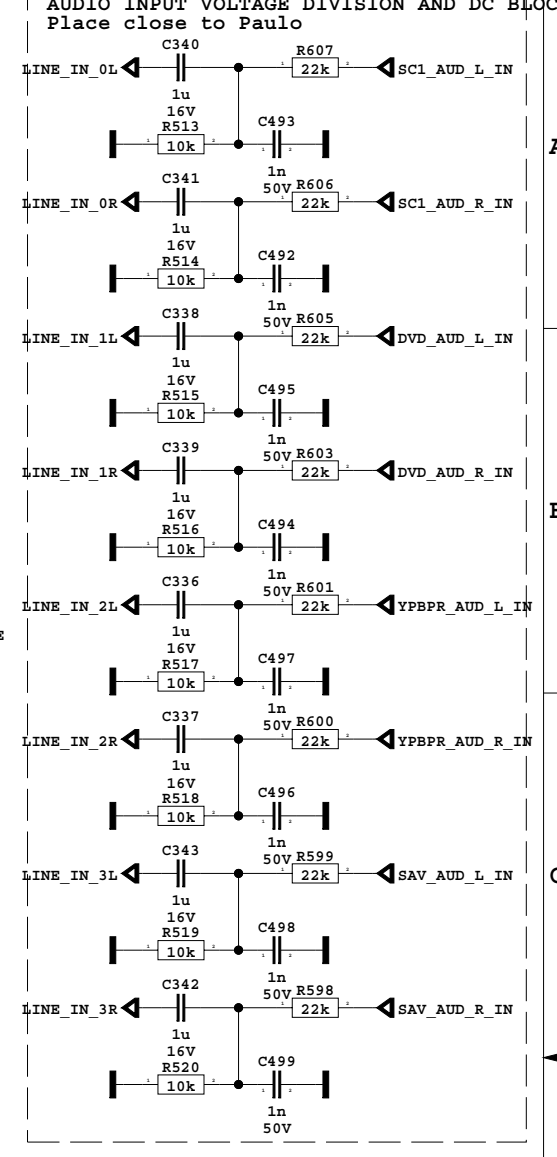
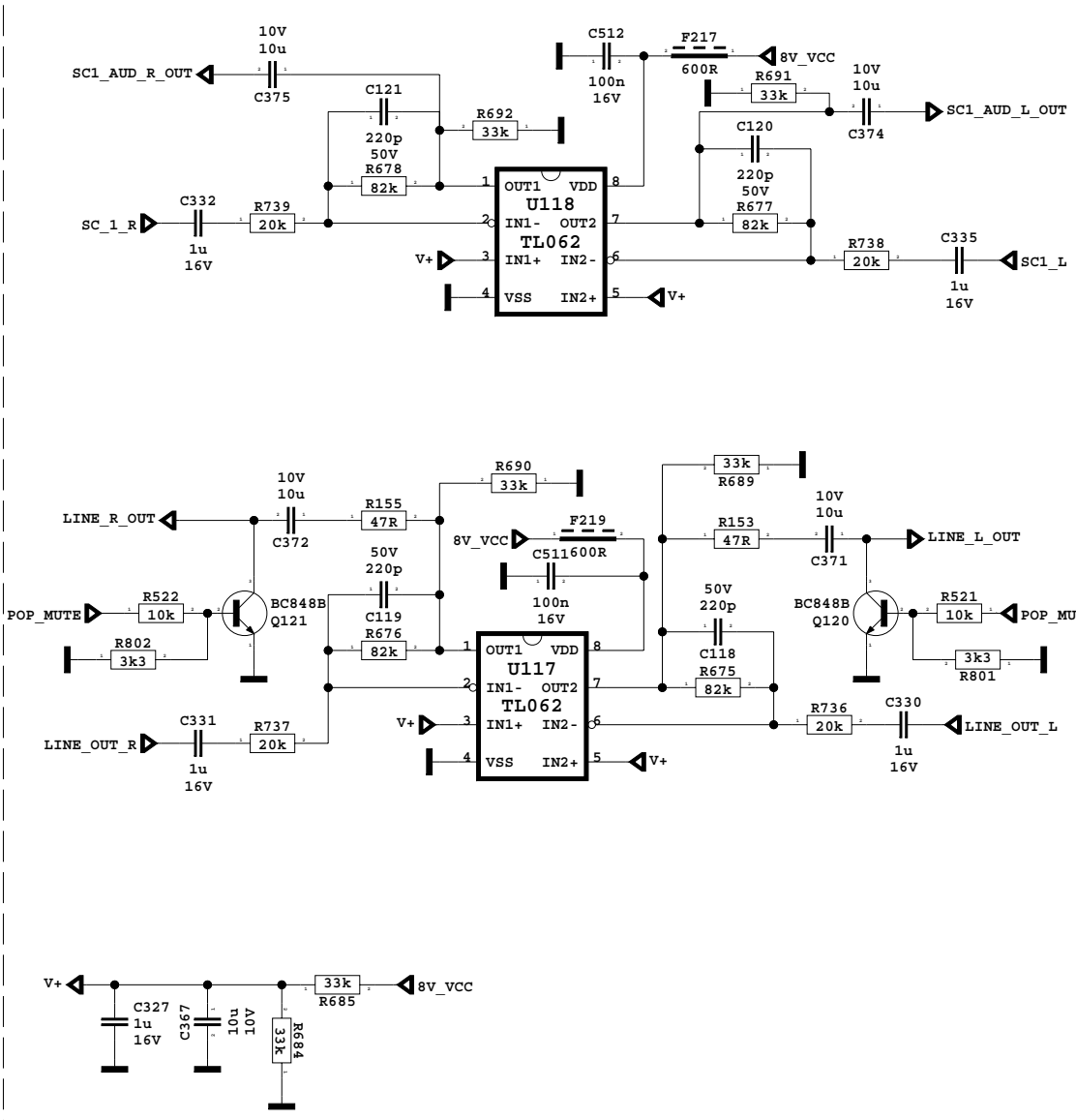
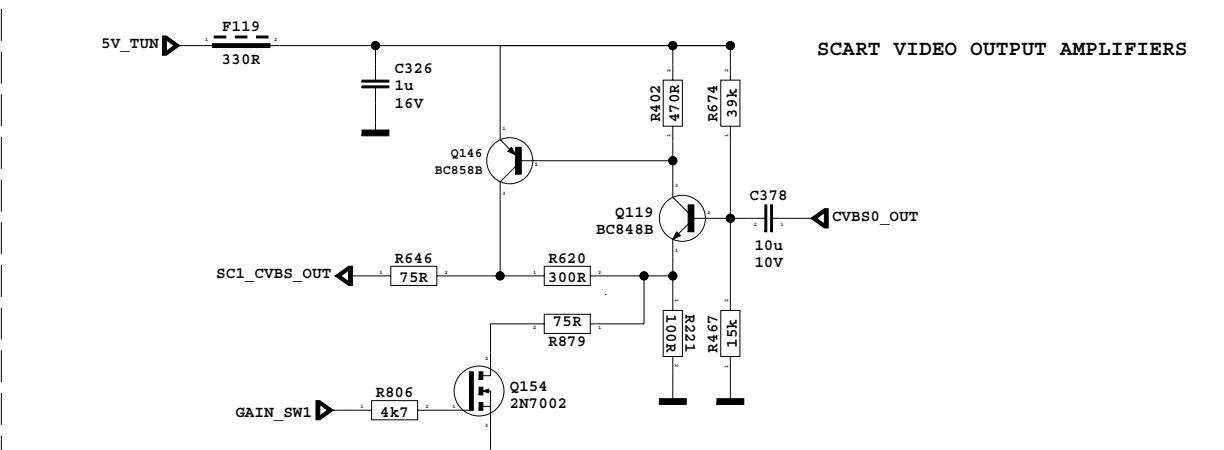
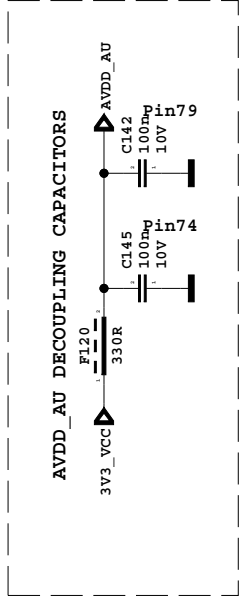
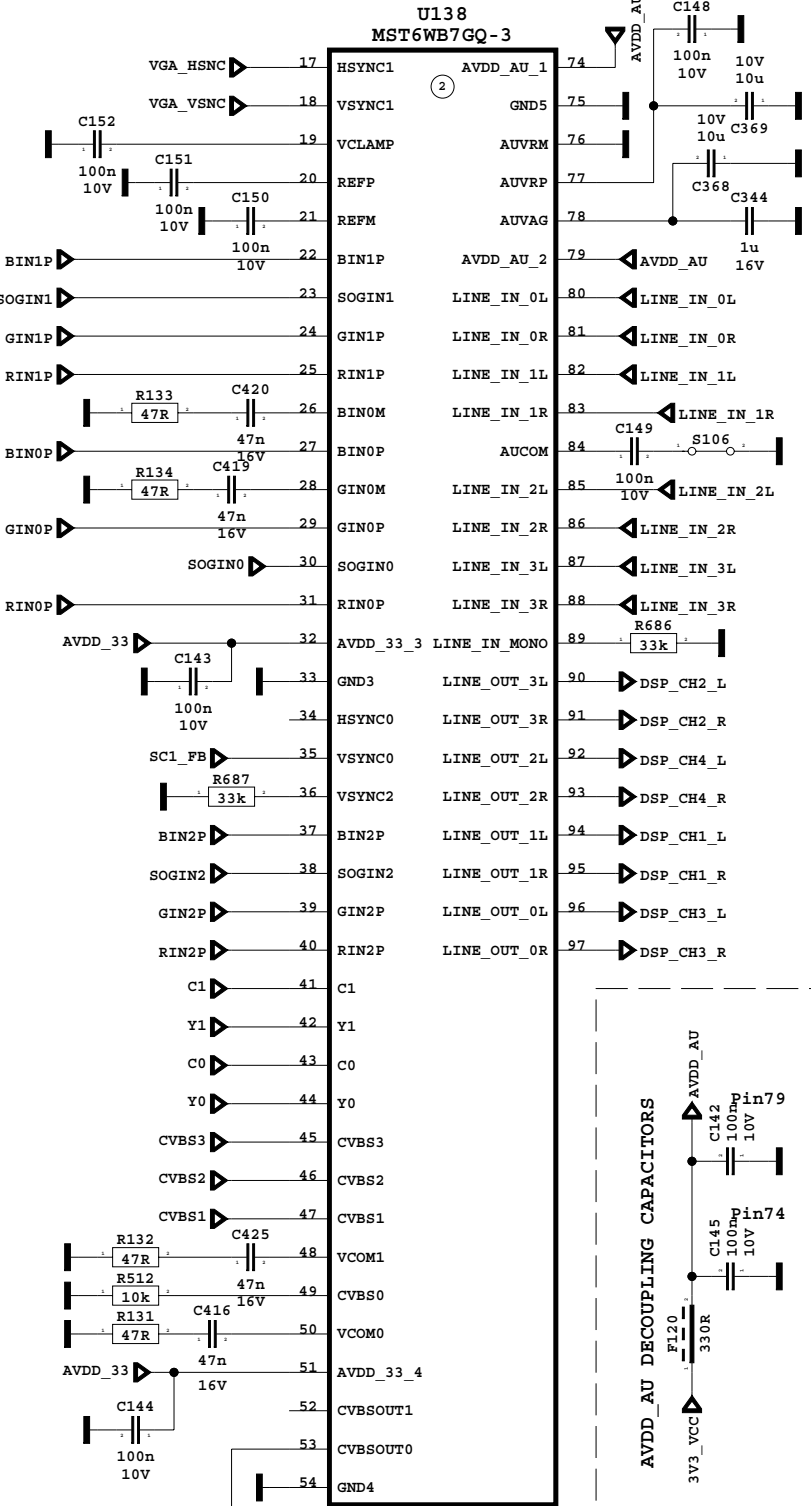
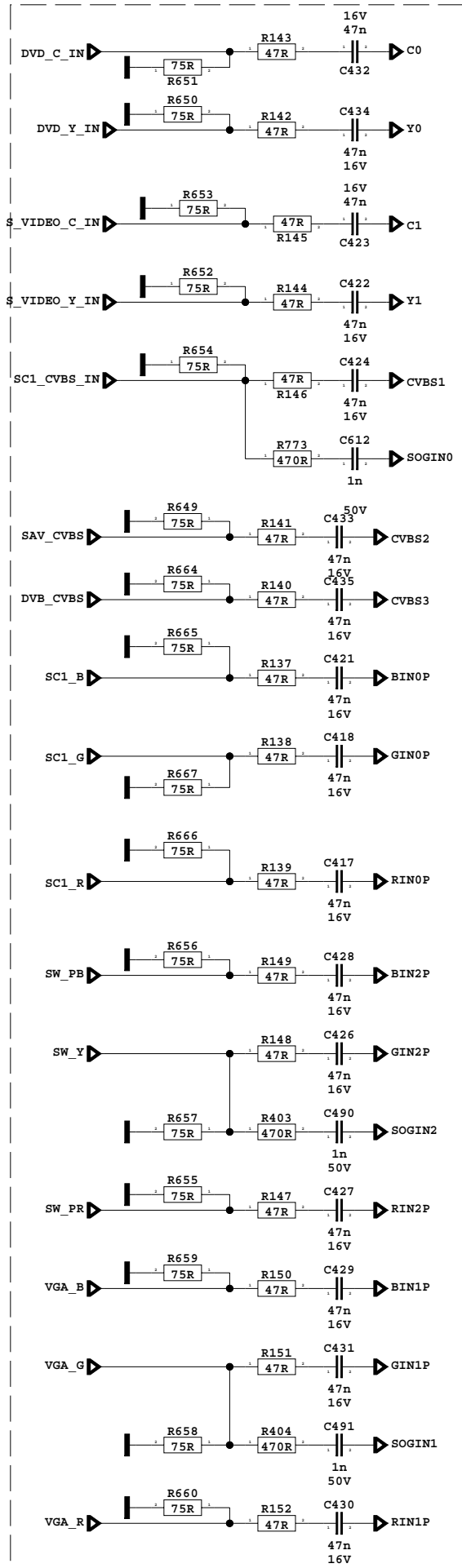


This part must be placed near the tuner

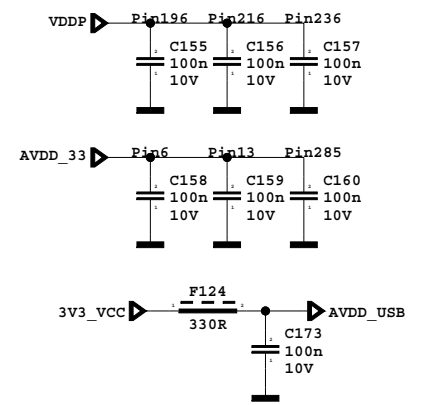
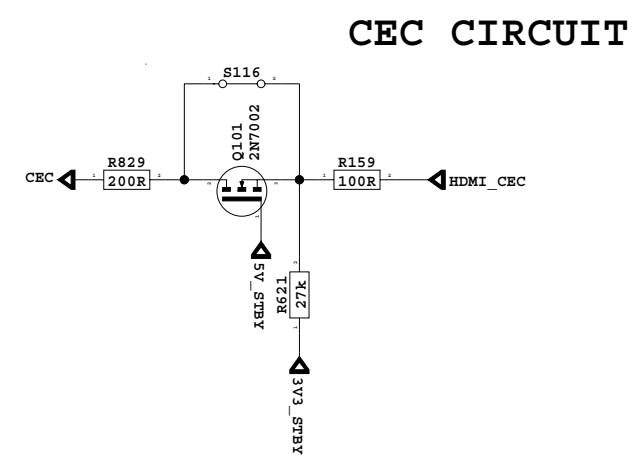
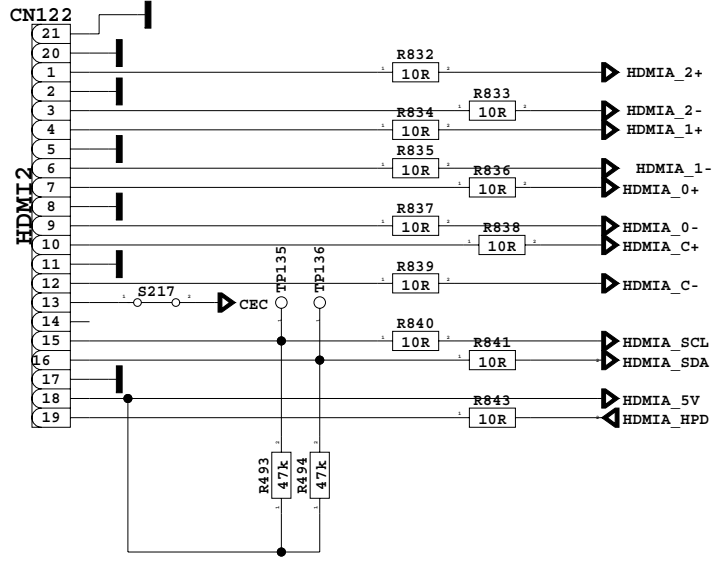
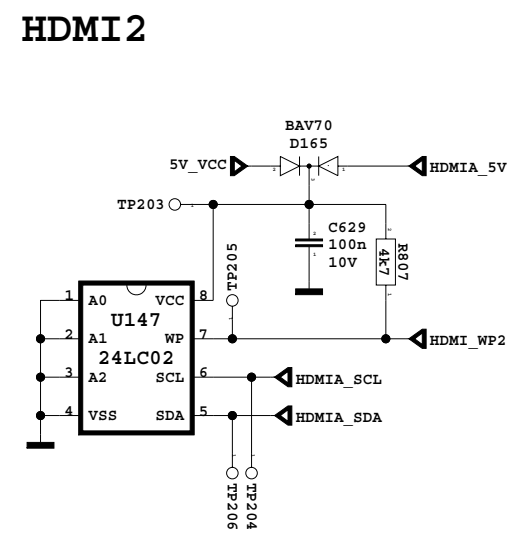
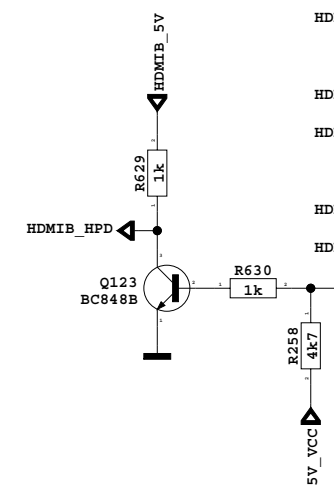
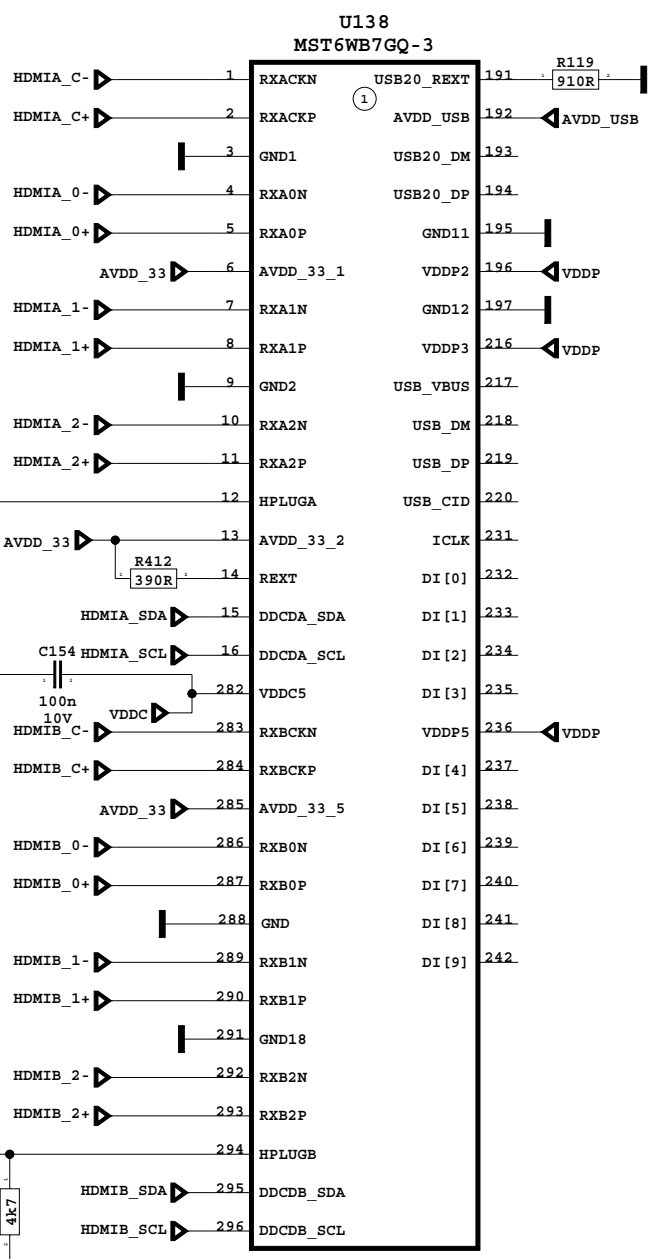
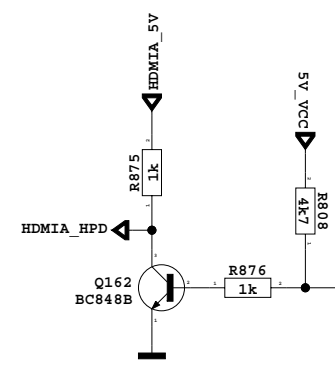
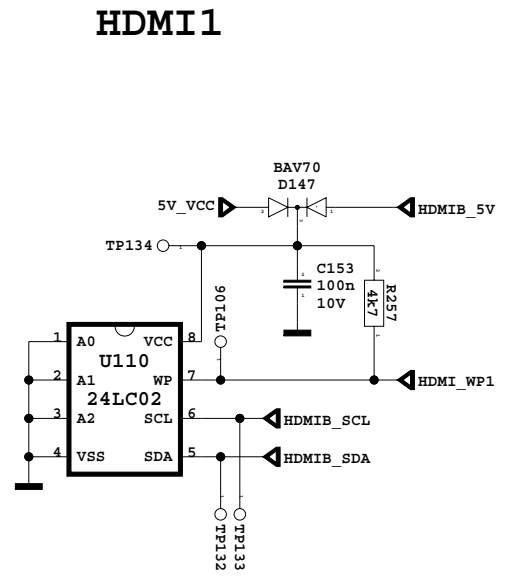
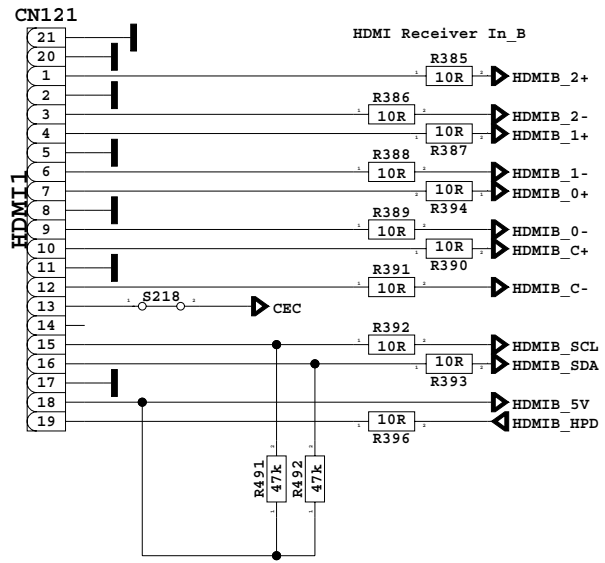


WARNING!!! Saw filter outputs must be close the chip

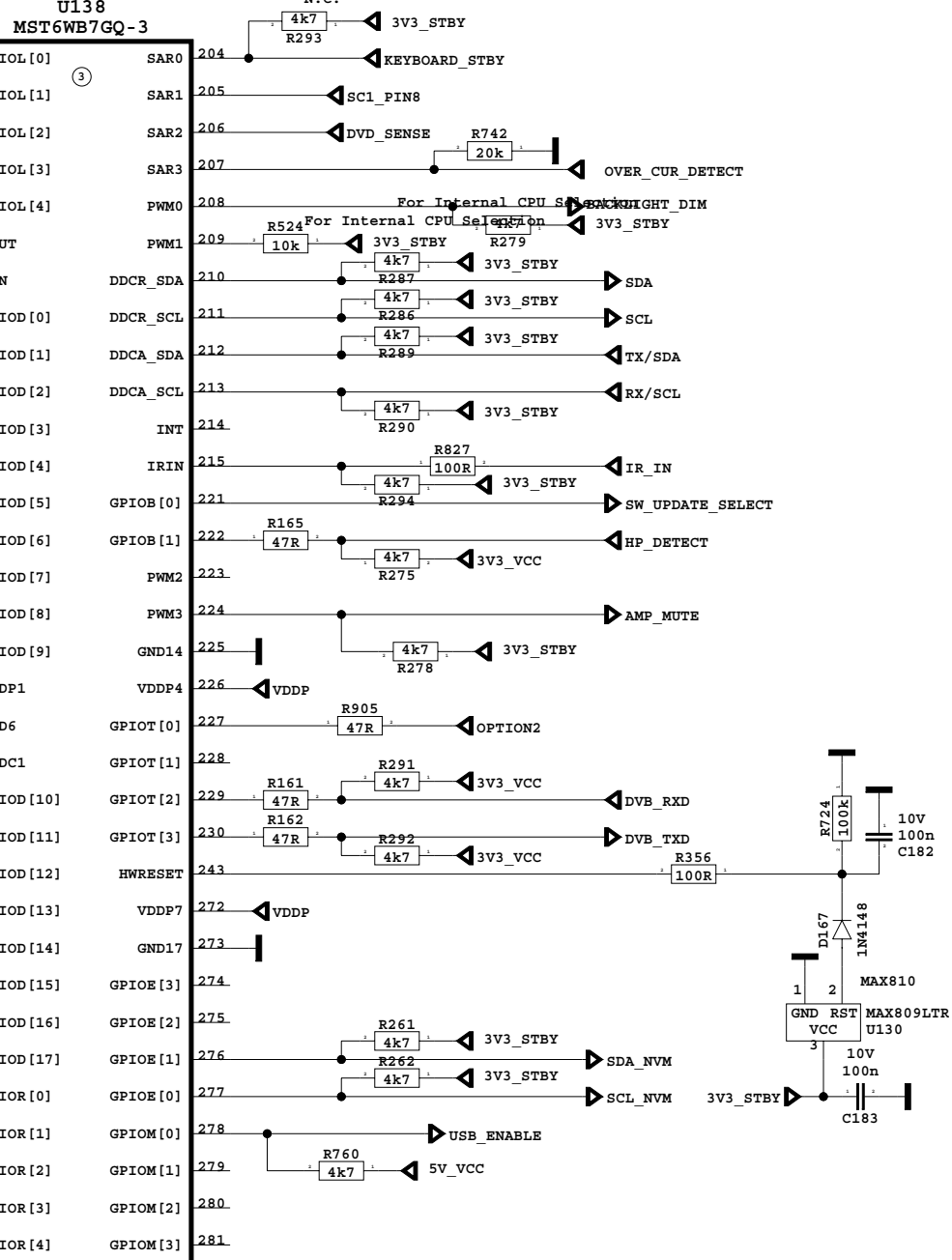
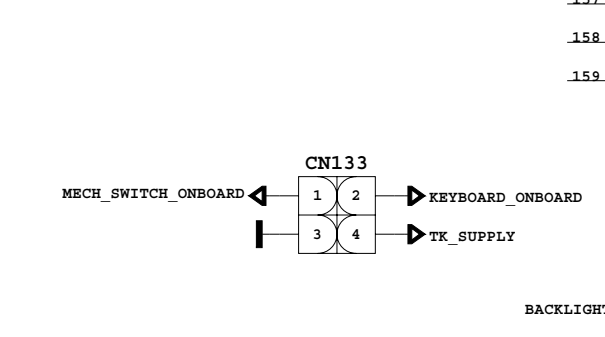
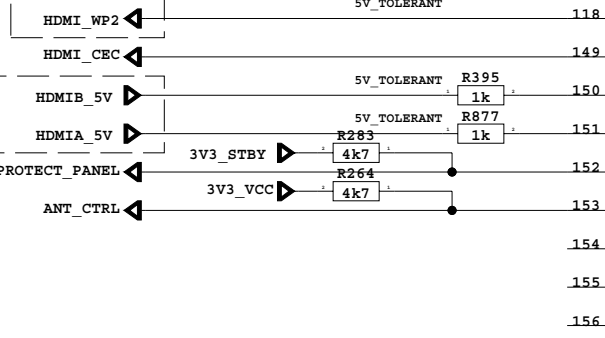
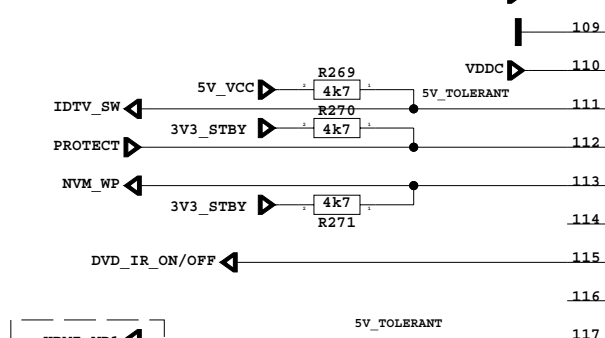
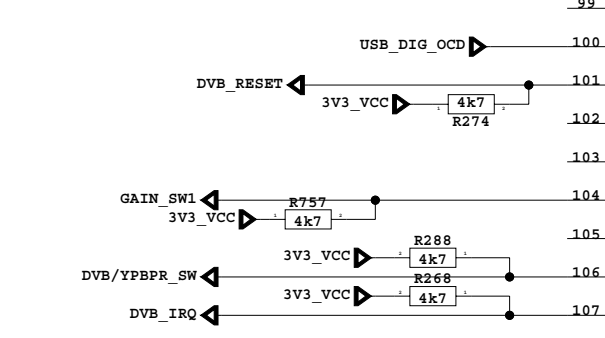
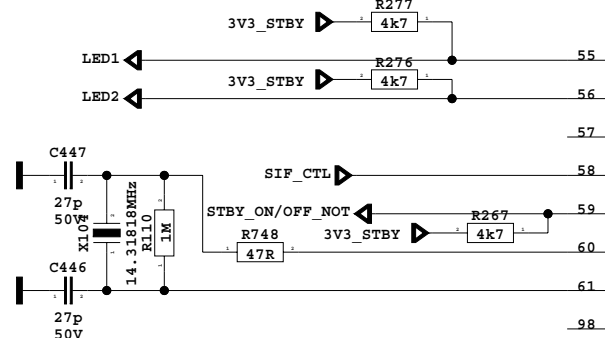
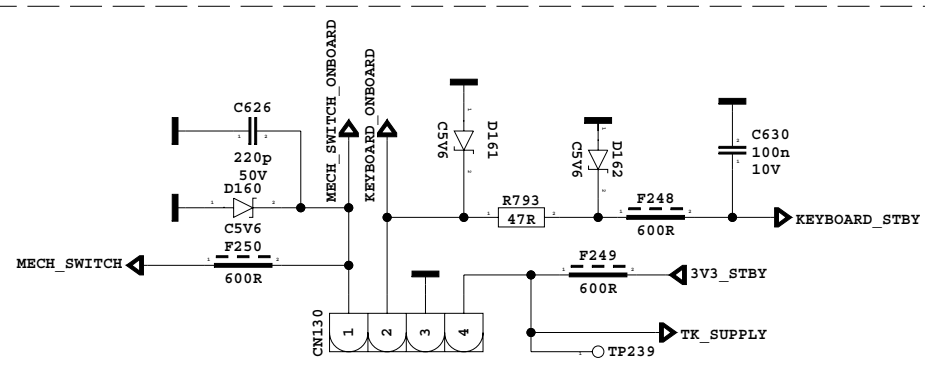
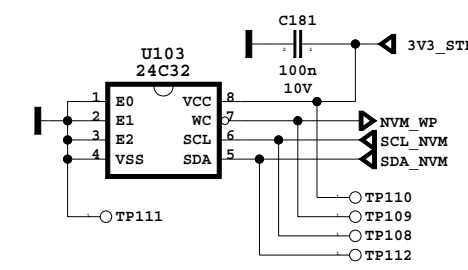
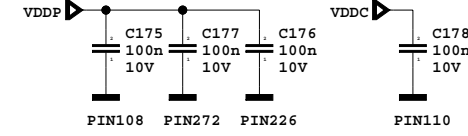
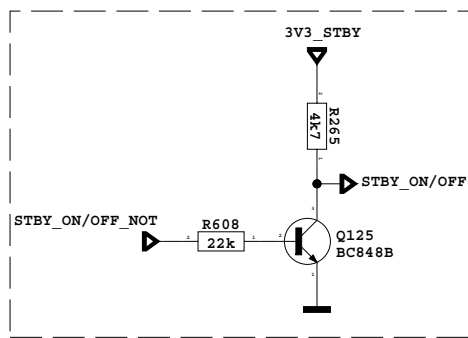
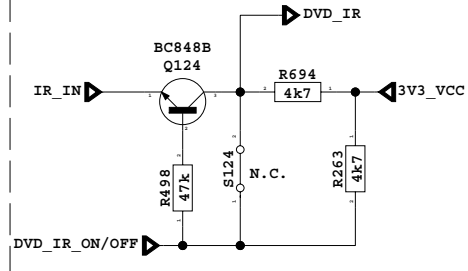
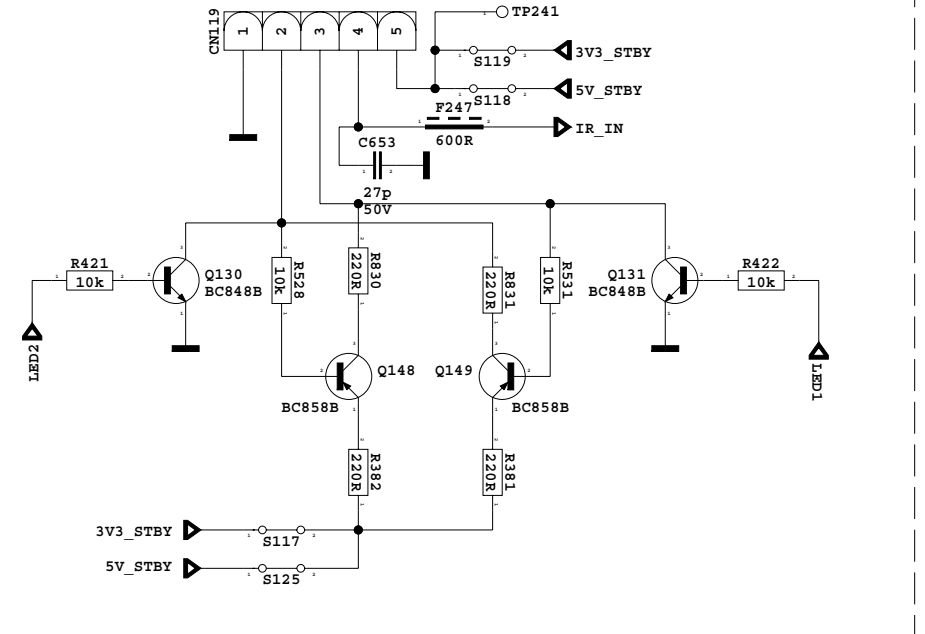
VIDEO TERMINATIONS AND DIFFERENTIAL TRACING
Place 75R termination resistors close to Paulo reference GNDs



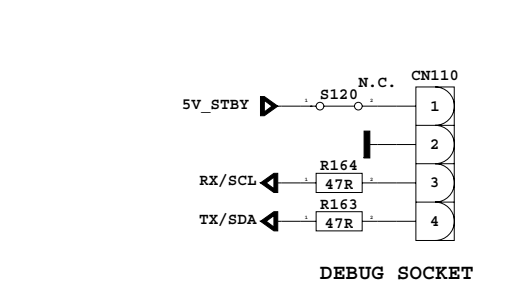
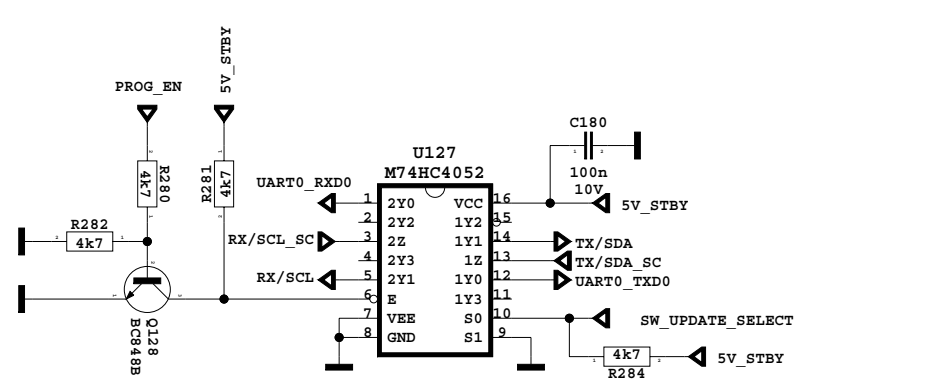
AUDIO OUTPUT FILTERS
Place close to Paulo



LED

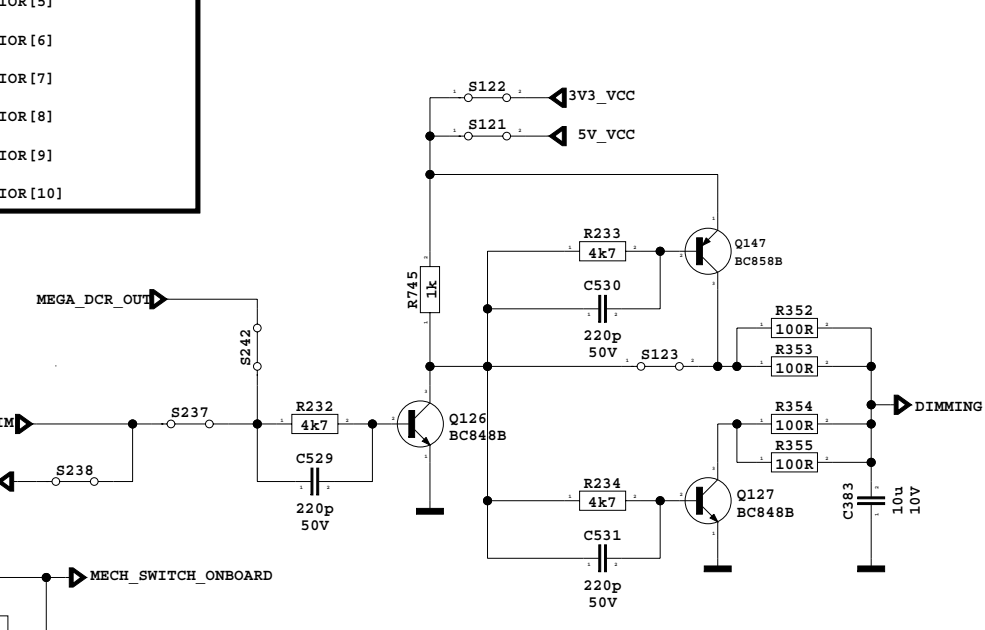
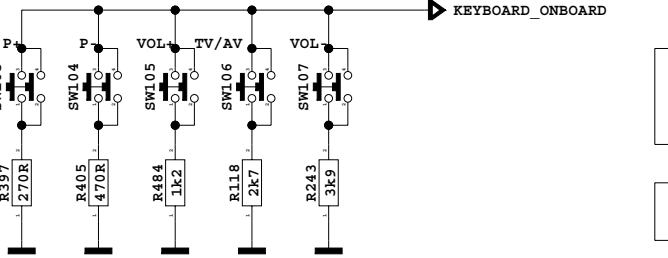


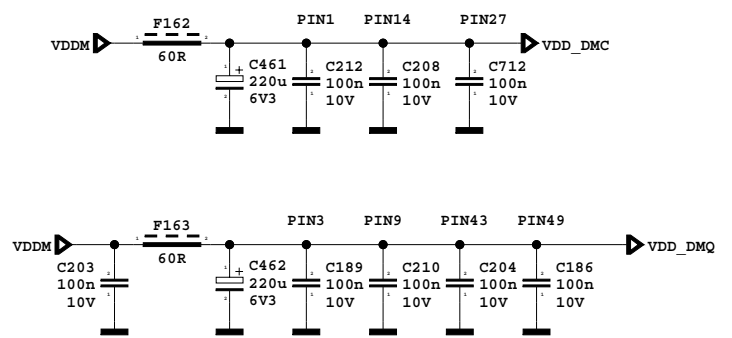
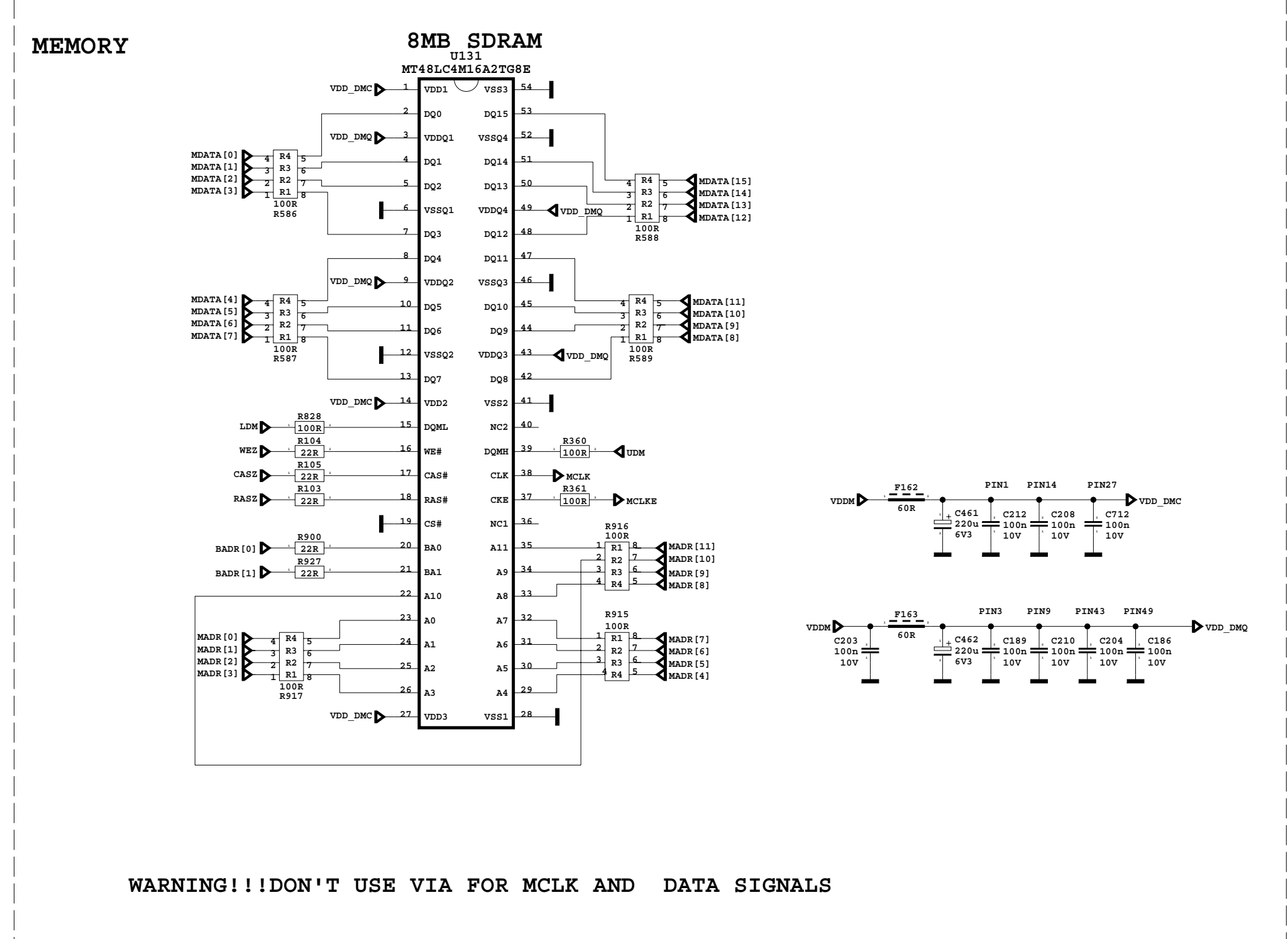
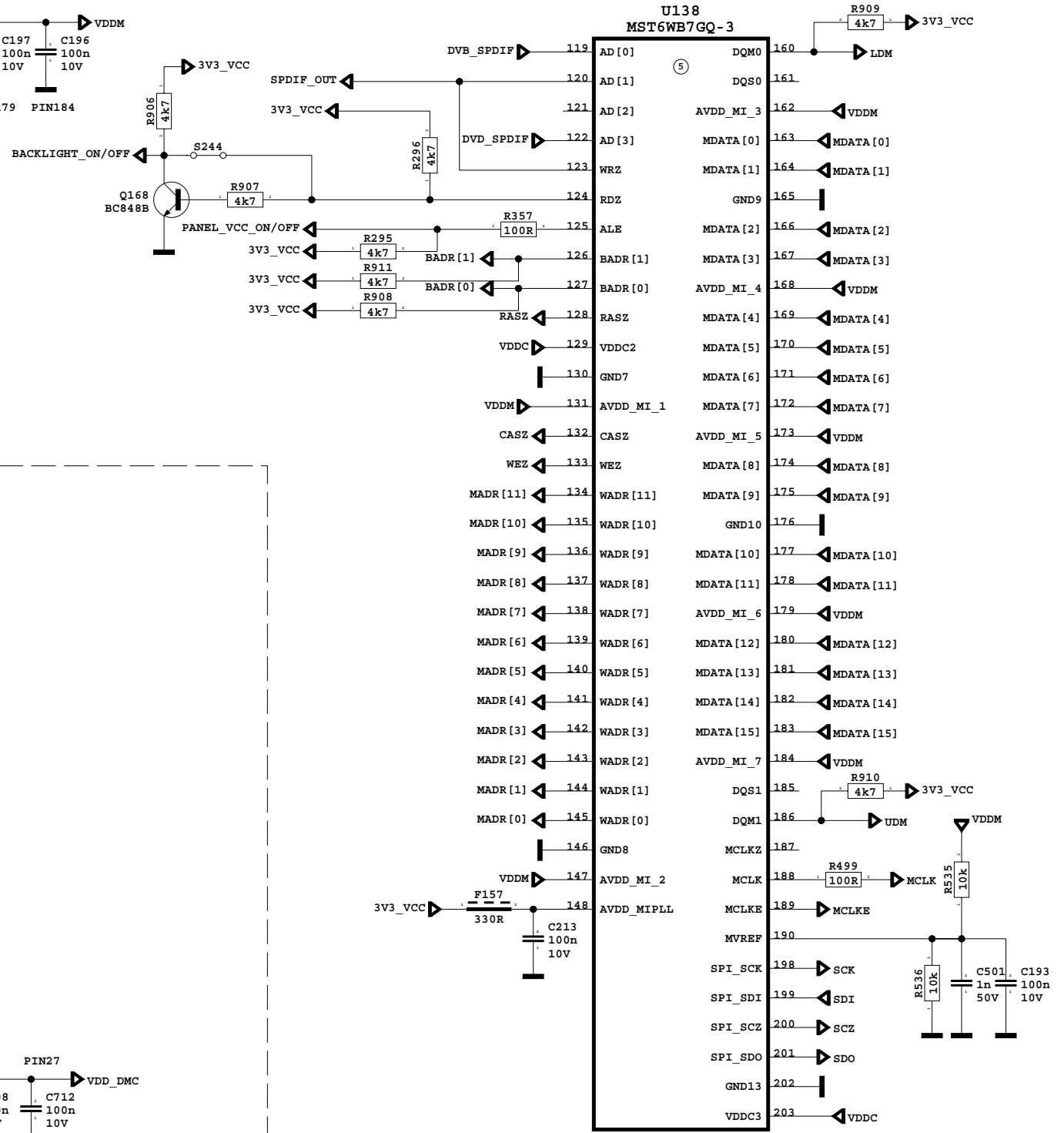
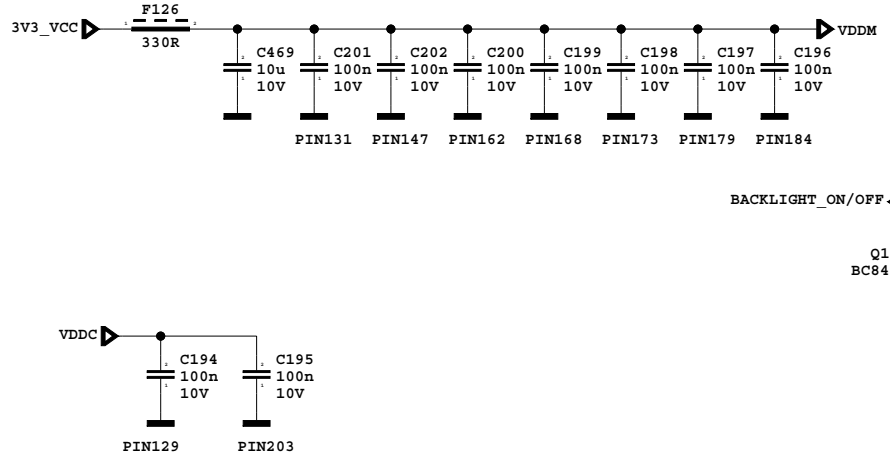
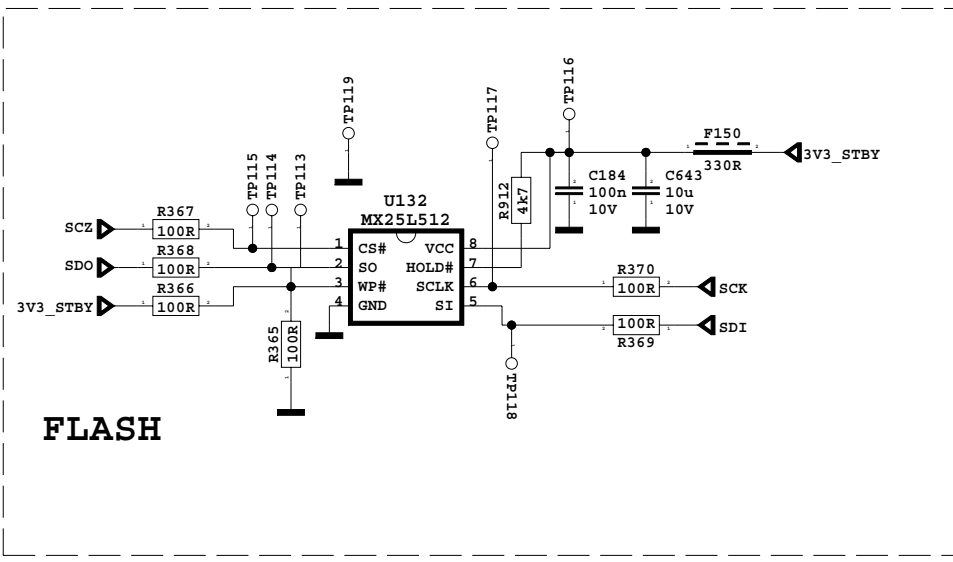
PROGRAMMING PART



PROG_EN	
0	HC4052 DISABLE
1	HC4052 ENABLE
SW_UPDATE_SELECT	
0	DVB_SW_UPDATE
1	ANALOG_SW_UPDATE

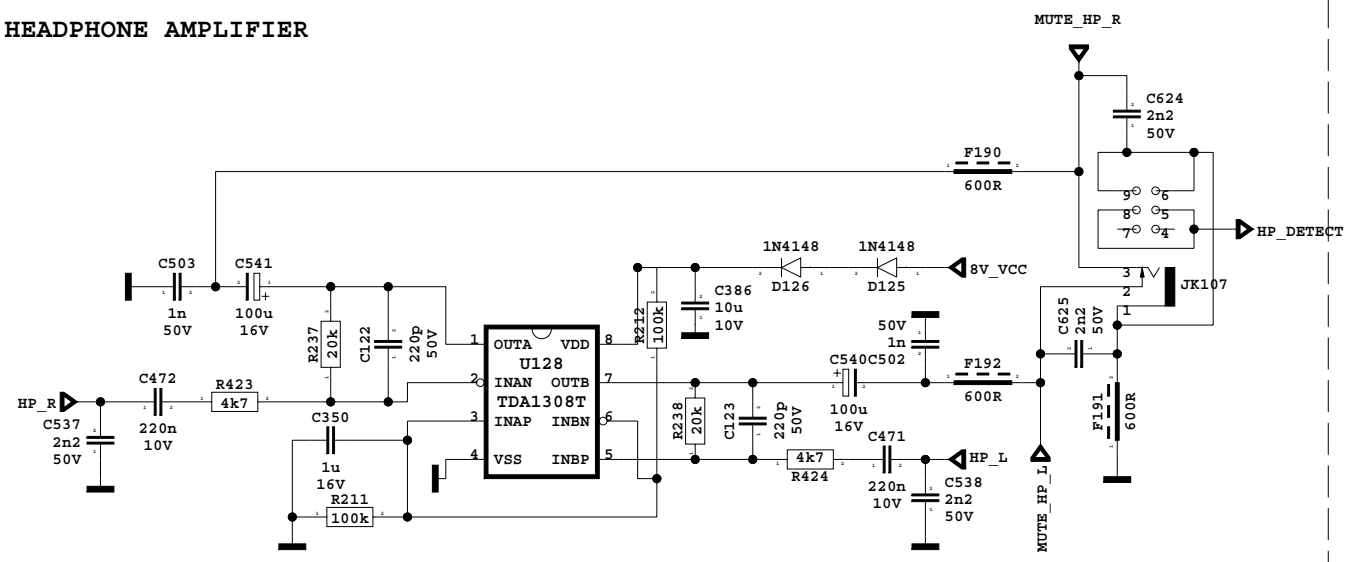
PUSH V+ AND V- AT THE SAME TIME FOR MENU



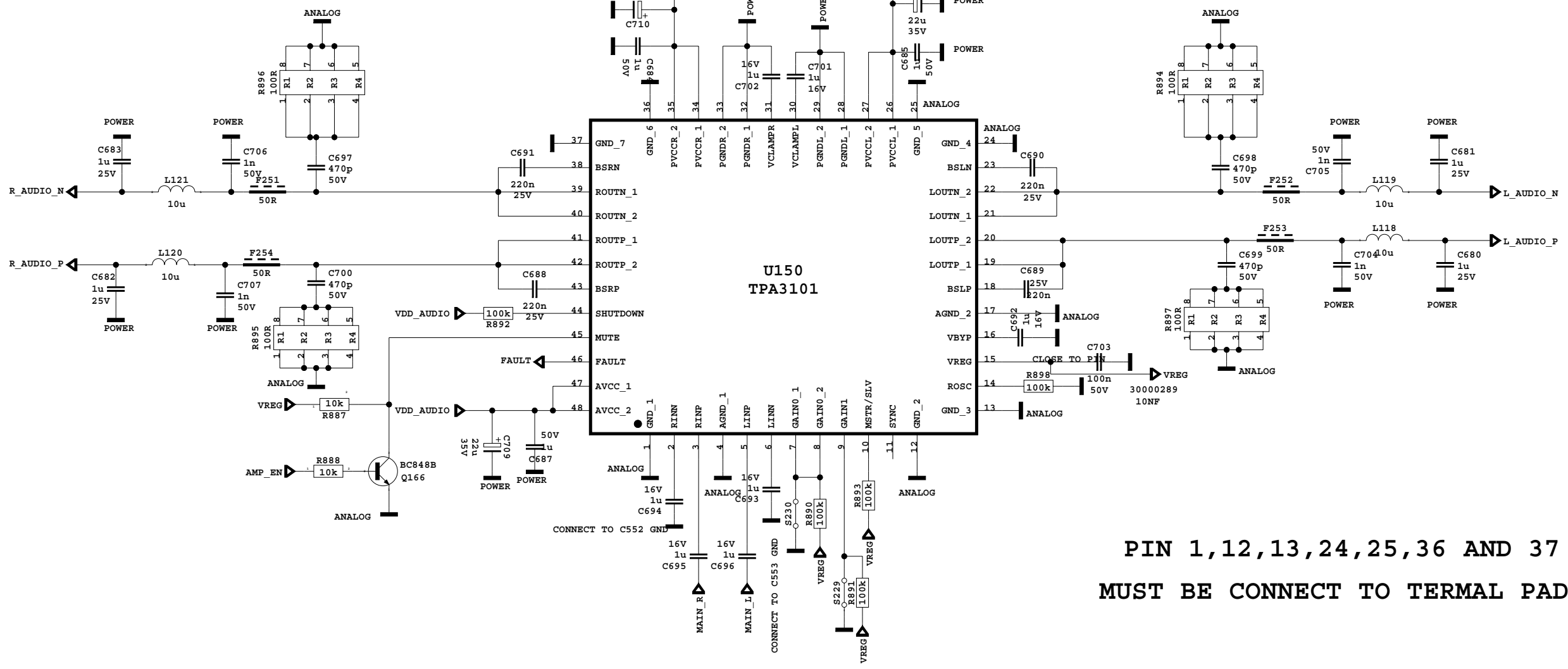
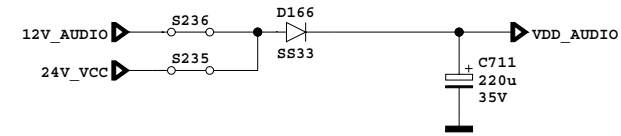
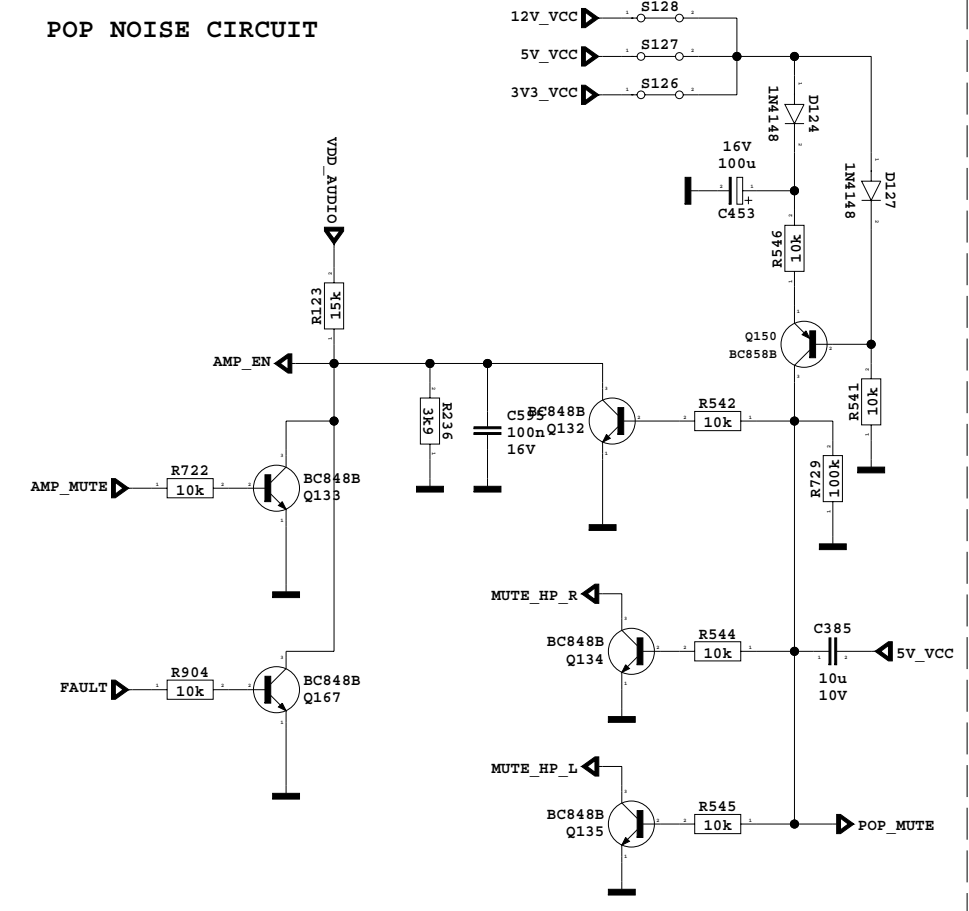


WARNING!!!DON'T USE VIA FOR MCLK AND DATA SIGNALS

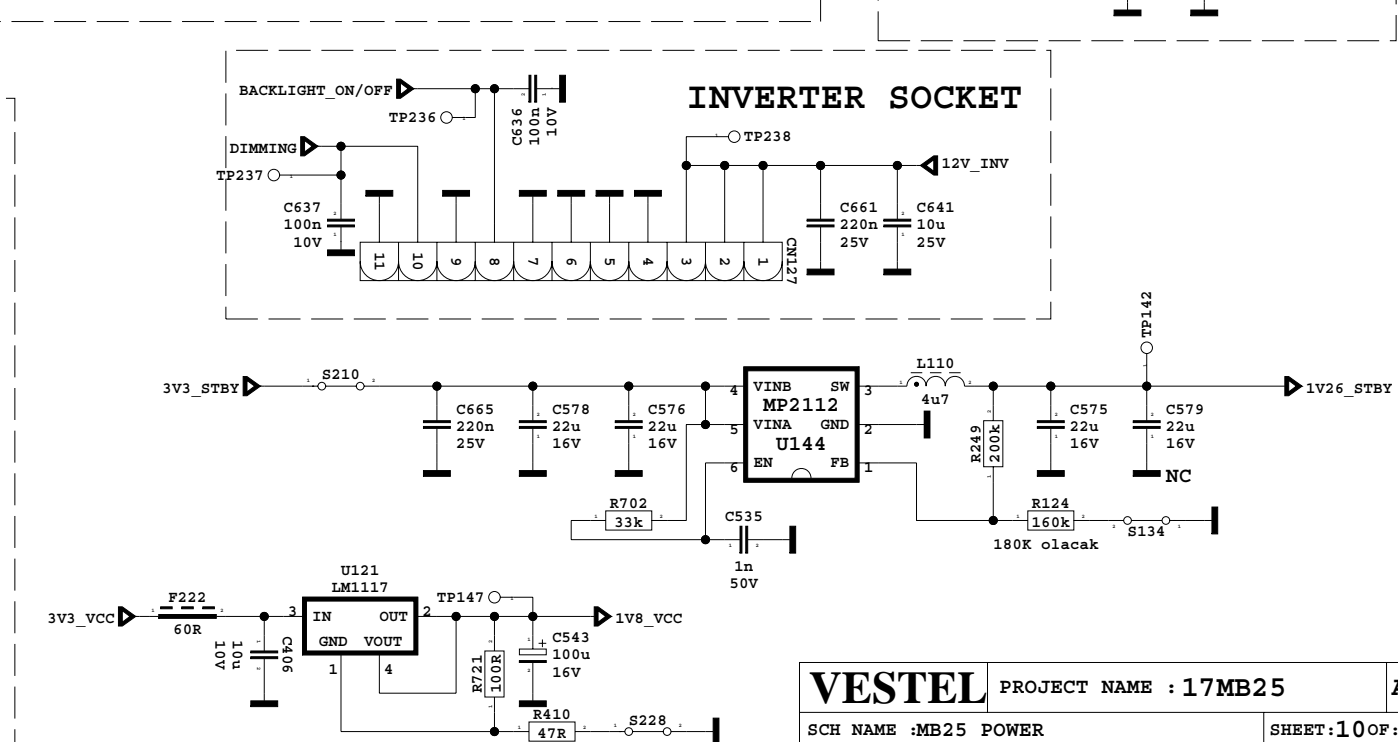
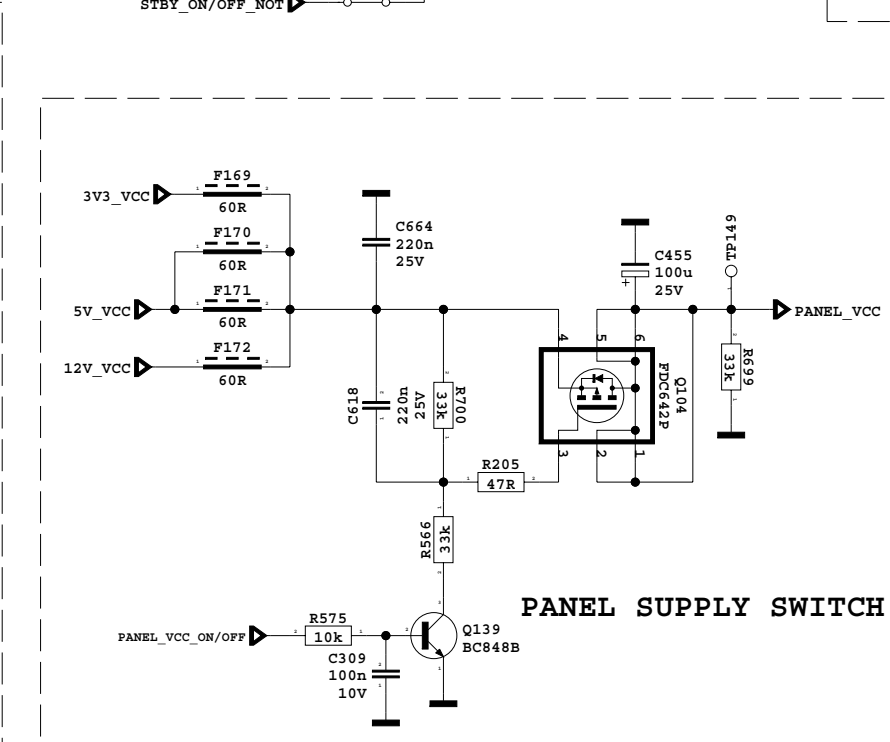
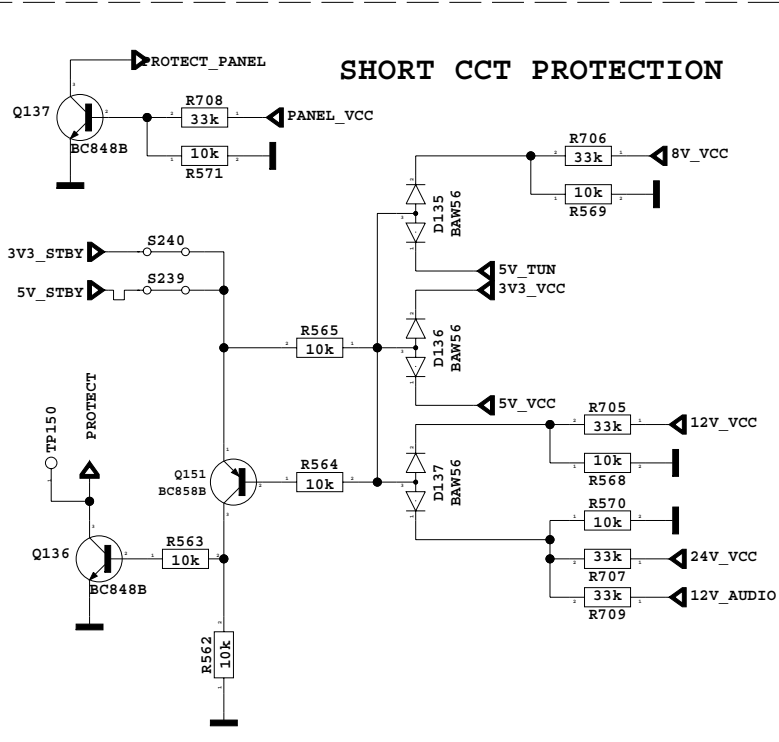
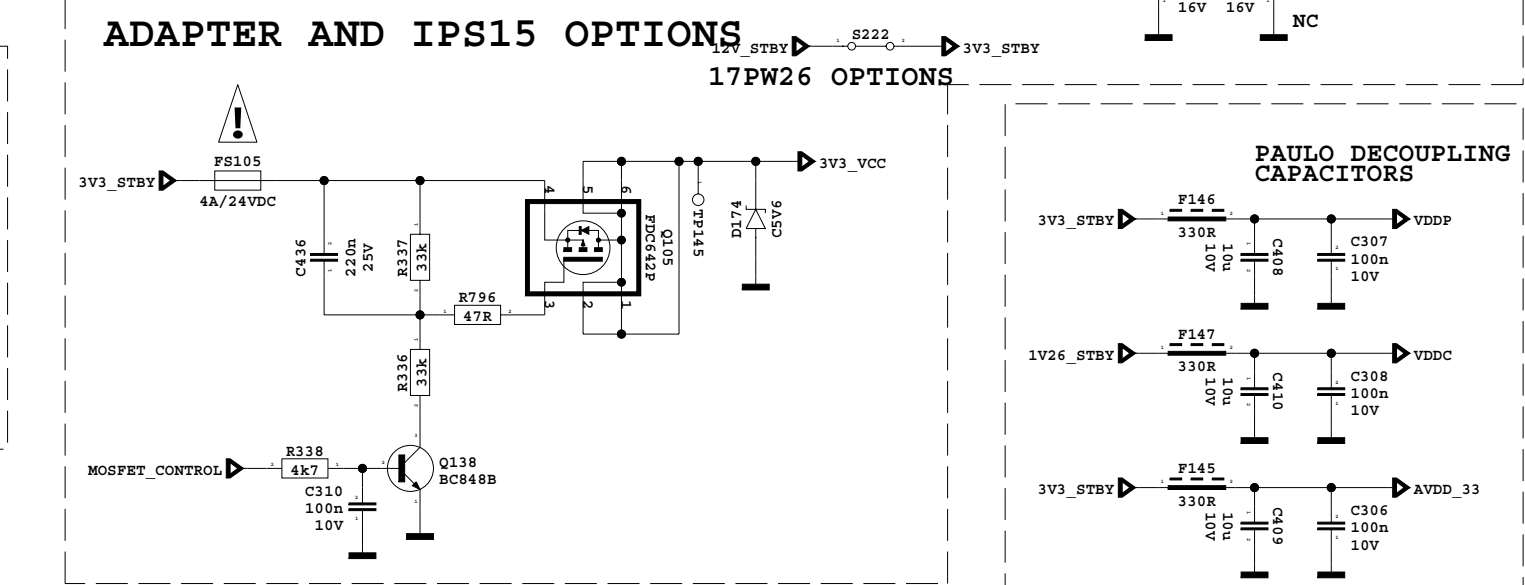
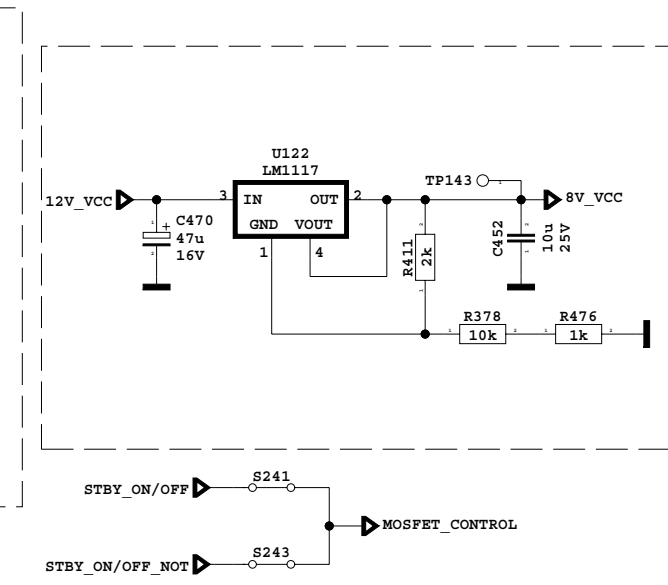
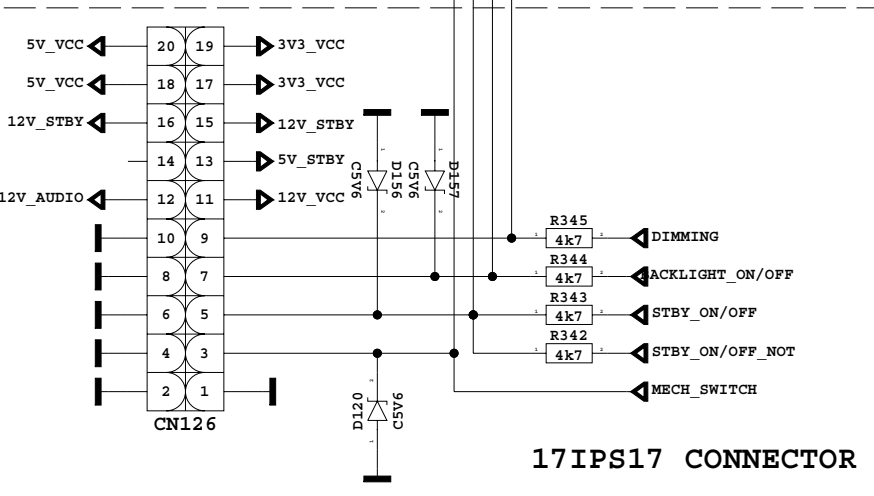
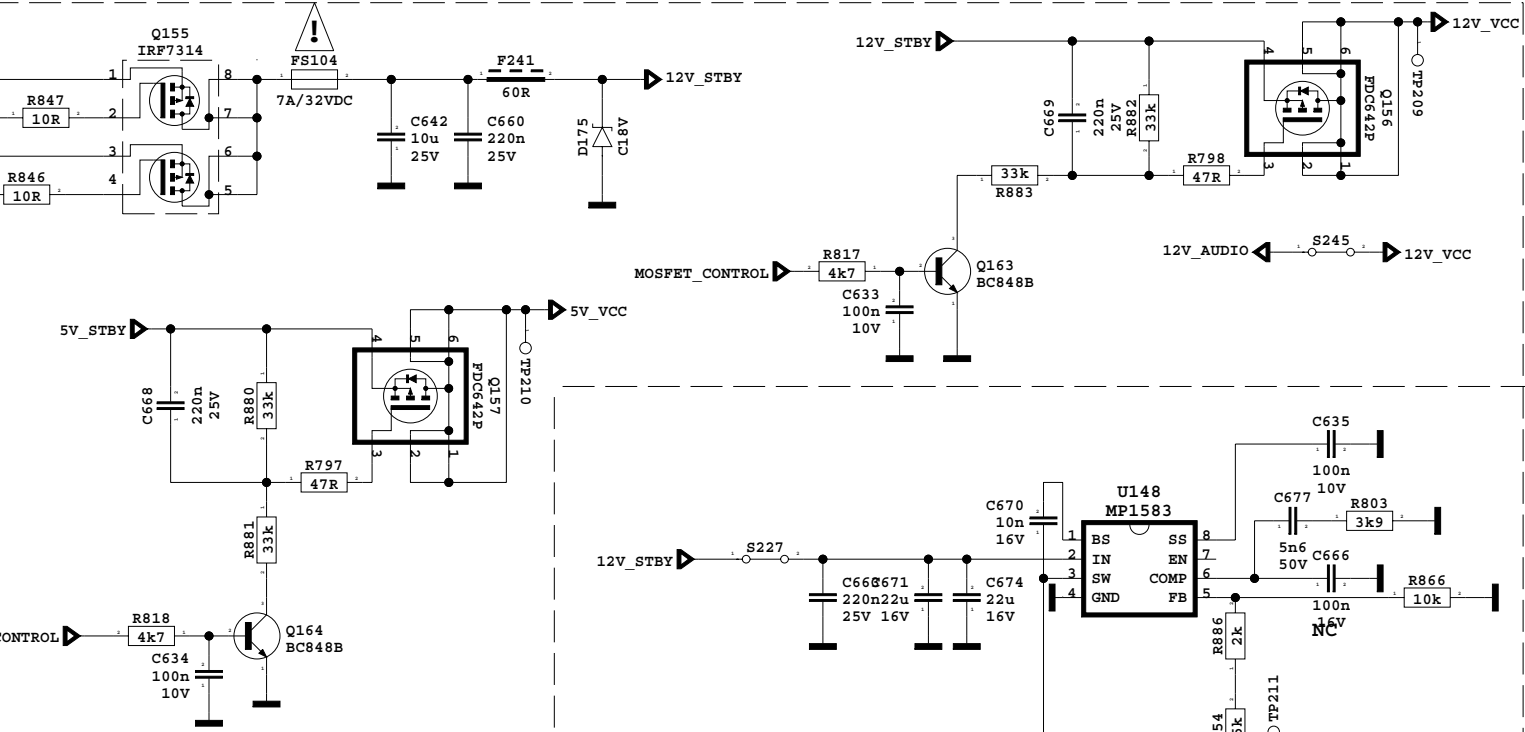
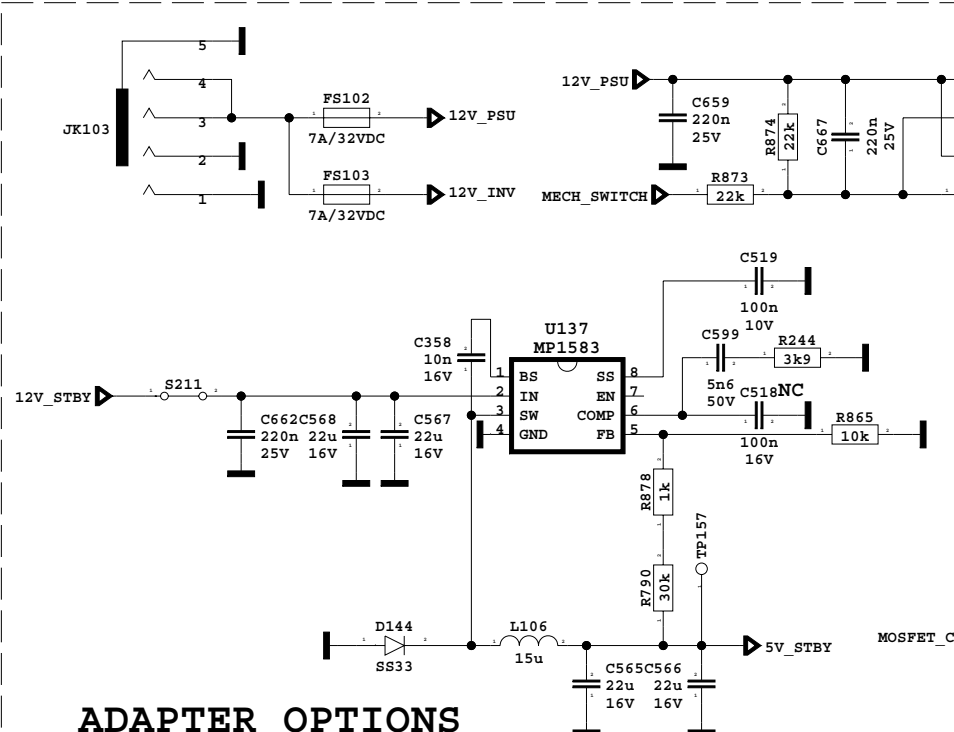
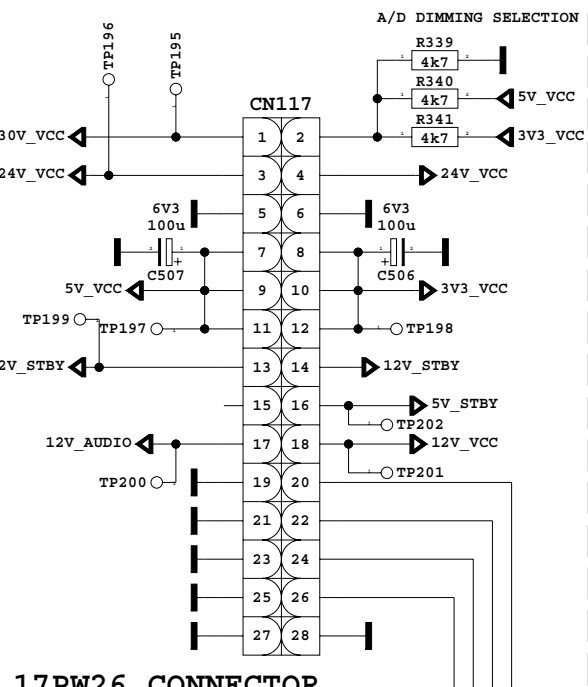
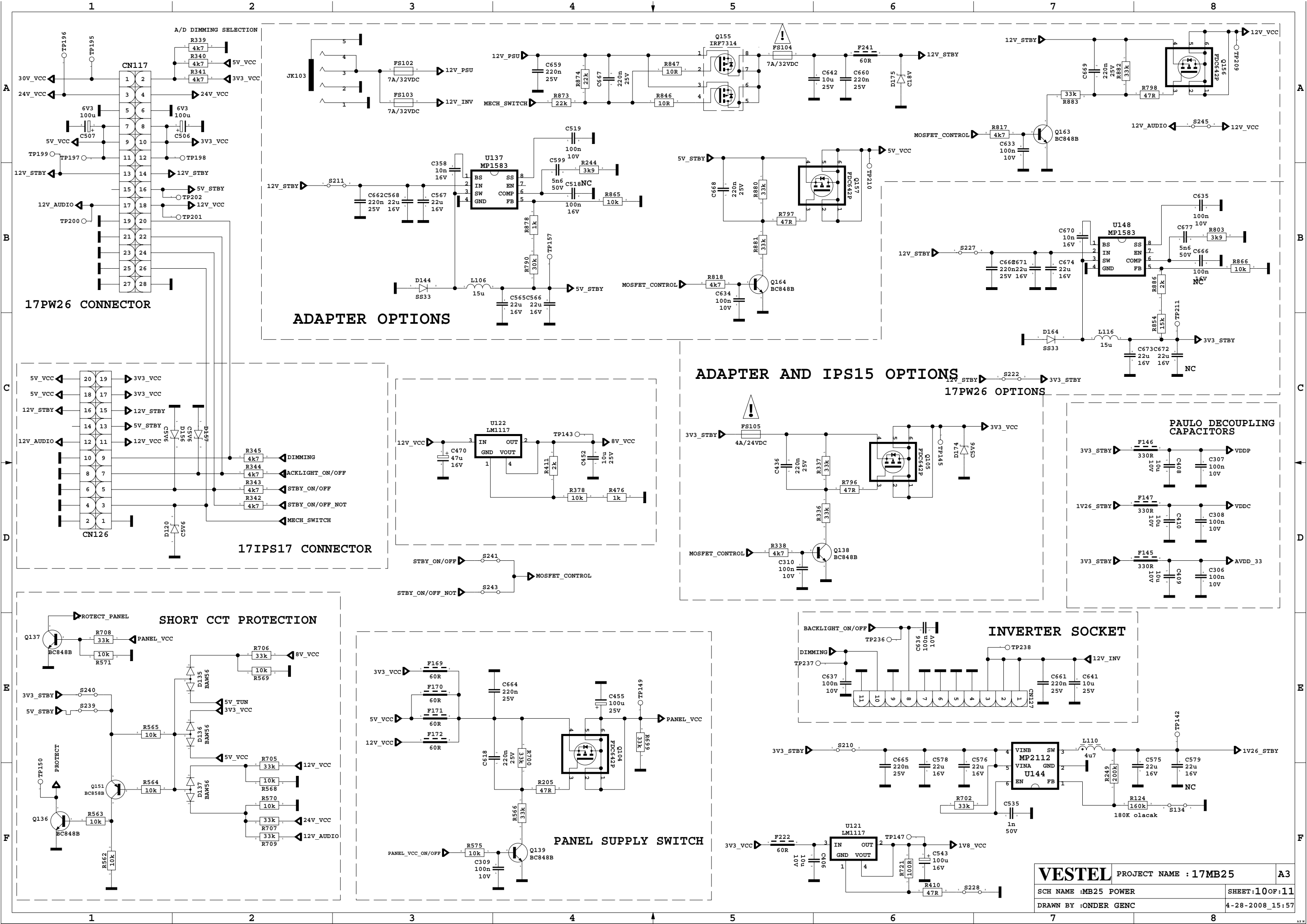
HEADPHONE AMPLIFIER

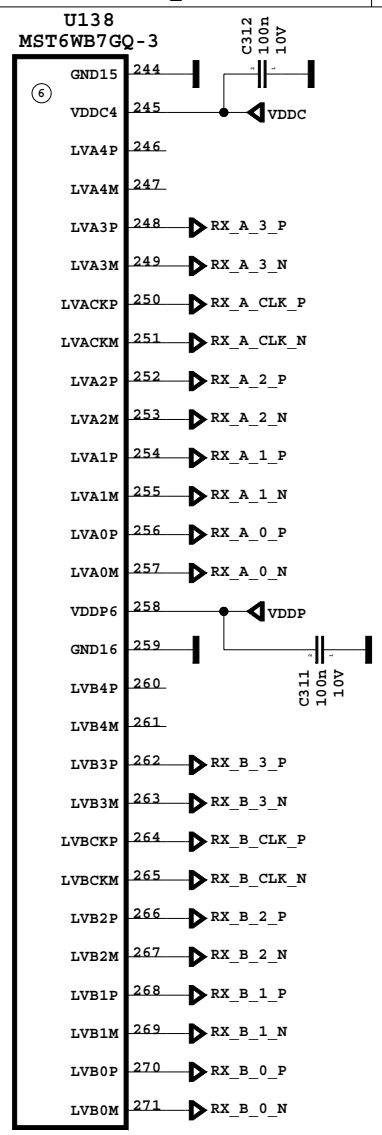


POP NOISE CIRCUIT

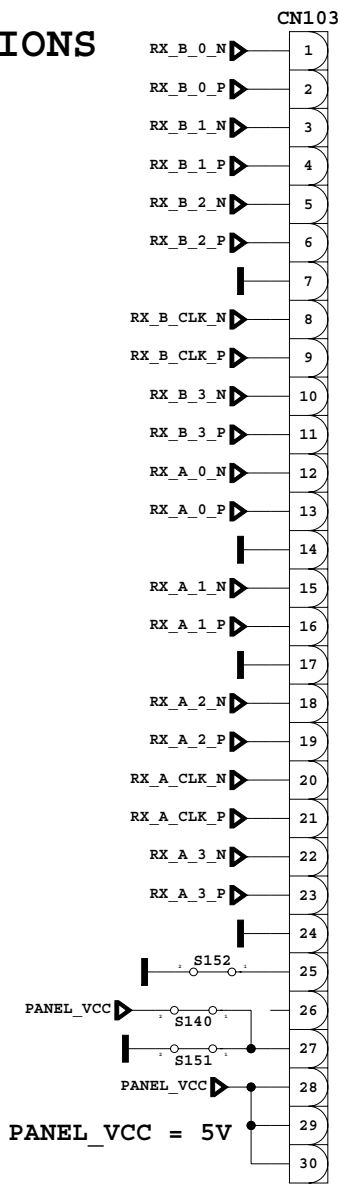


**PIN 1,12,13,24,25,36 AND 37
MUST BE CONNECT TO TERMAL PAD**

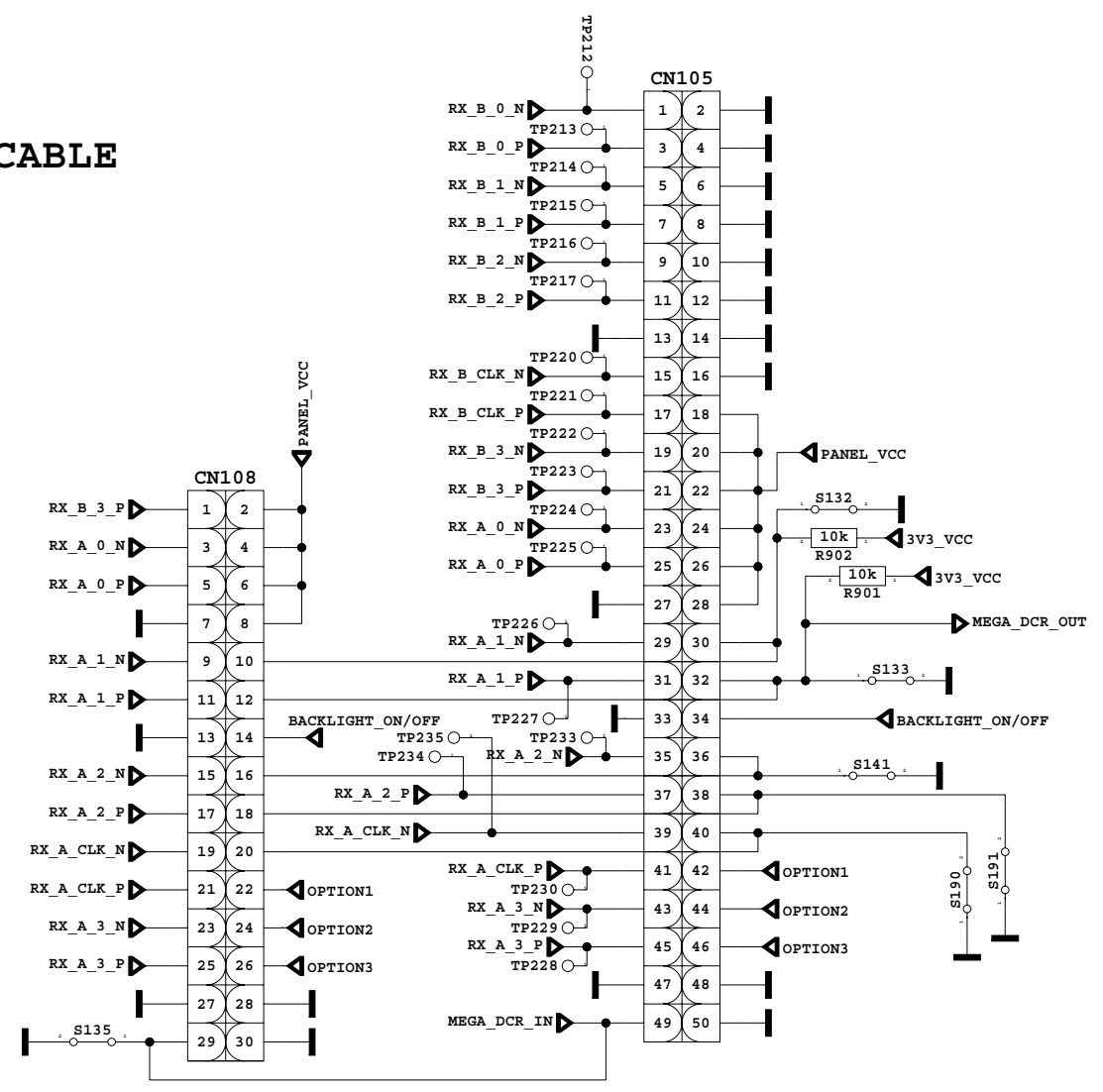




19" TO 22" FFC OPTIONS



LVDS CABLE



26" TO 32" FFC OPTIONS

